

---

---

# CITY OF MERCER ISLAND

## DEVELOPMENT SERVICES GROUP

9611 SE 36TH STREET | MERCER ISLAND, WA 98040

PHONE: 206.275.7605 | [www.mercergov.org](http://www.mercergov.org)

Inspection Requests: Online: [www.MyBuildingPermits.com](http://www.MyBuildingPermits.com) VM: 206.275.7730

---

---



## ON-SITE DETENTION DESIGN REQUIREMENTS

### General Requirements

This guidance applies only to projects that meet the thresholds specified below in “Is On-site Detention Required for My Project?” if all of the on-site stormwater BMPs included on List #1 and List #2 are determined to be infeasible for roofs and/or other hard surfaces.

### Is On-site Detention Required For My Project?

**YES**, if my project:

- 1) Results in 2,000 square feet, or greater, of new plus replaced hard surface area, or
- 2) Has a land disturbing activity or 7,000 square feet or greater, or
- 3) Results in a **net increase** of impervious surface of 500 square feet or greater.

AND

- 1) All of the on-site stormwater BMPs included on List #1 and List #2 are determined to be infeasible for roofs and/or other hard surfaces, and
- 2) Drainage from the site will be discharged to a storm and surface water system that includes a watercourse or there is a capacity constraint in the system.

**NO**, if my project:

- 1) Results in less than 2,000 square feet of new plus replaced hard surface area, and
- 2) Has a land disturbing activity less than 7,000 square feet, and
- 3) Results in a **net increase of less than 500 square feet** of impervious surface area.
- 4) The project discharges **directly** to Lake Washington, or findings from a ¼-mile downstream analysis confirm that the downstream system is free of capacity constraints.

### Designing Your On-Site Detention System

All on-site detention system designs must be prepared by a professional engineer registered in the State of Washington. The Standard On-site Detention System worksheet (Attachment 1) must be submitted on 18” x 24” (minimum) size sheets.

**Construction that results in 500 to 9,500 square feet of new plus replaced impervious surfaces:**

Size system according to Table 1. The configuration of the on-site detention system shall be as shown on Attachment 1 (Standard On-Site Detention Systems Worksheet) or as specifically designed by the engineer for the site.

**Note:**

- The applicant may pay a fee-in-lieu-of constructing an on-site detention system when allowed by the City Engineer. The fee will not be an option when in the opinion of the City Engineer, undetained runoff from the development may adversely exacerbate an existing problem (MICC 15.11) or if flow control is required by Minimum Requirement #7.
- **Construction that results in more than 9,500 square feet of new plus replaced impervious surfaces and/or exceeds a 100-year flow frequency of 0.15 cubic feet per second (for moderate and steep sloped sites greater than a 5% slope):** Size system according to Minimum Requirement #7 (Flow Control) in the Stormwater Management Manual for Western Washington (Ecology 2014).

**Table 1**

ON-SITE DETENTION DESIGN FOR PROJECTS BETWEEN 500 SF AND 9,500 SF NEW PLUS REPLACED IMPERVIOUS SURFACE AREA

New and Replaced Impervious Surface Area (sf)	Detention Pipe Diameter (in)	Detention Pipe Length (ft)		Lowest Orifice Diameter (in) <sup>(3)</sup>		Distance from Outlet Invert to Second Orifice (ft)		Second Orifice Diameter (in)	
		B soils	C soils	B soils	C soils	B soils	C soils	B soils	C soils
500 to 1,000 sf	36"	30	22	0.5	0.5	2.2	2.0	0.5	0.8
	48"	18	11	0.5	0.5	3.3	3.2	0.9	0.8
	60"	11	7	0.5	0.5	4.2	3.4	0.5	0.6
1,001 to 2,000 sf	36"	66	43	0.5	0.5	2.2	2.3	0.9	1.4
	48"	34	23	0.5	0.5	3.2	3.3	0.9	1.2
	60"	22	14	0.5	0.5	4.3	3.6	0.9	0.9
2,001 to 3,000 sf	36"	90	66	0.5	0.5	2.2	2.4	0.9	1.9
	48"	48	36	0.5	0.5	3.1	2.8	0.9	1.5
	60"	30	20	0.5	0.5	4.2	3.7	0.9	1.1
3,001 to 4,000 sf	36"	120	78	0.5	0.5	2.4	2.2	1.4	1.6
	48"	62	42	0.5	0.5	2.8	2.9	0.8	1.3
	60"	42	26	0.5	0.5	3.8	3.9	0.9	1.3
4,001 to 5,000 sf	36"	134	91	0.5	0.5	2.8	2.2	1.7	1.5
	48"	73	49	0.5	0.5	3.6	2.9	1.6	1.5
	60"	46	31	0.5	0.5	4.6	3.5	1.6	1.3
5,001 to 6,000 sf	36"	162	109	0.5	0.5	2.7	2.2	1.8	1.6
	48"	90	59	0.5	0.5	3.5	2.9	1.7	1.5
	60"	54	37	0.5	0.5	4.6	3.6	1.6	1.4
6,001 to 7,000 sf	36"	192	128	0.5	0.5	2.7	2.2	1.9	1.8
	48"	102	68	0.5	0.5	3.7	2.9	1.9	1.6
	60"	64	43	0.5	0.5	4.6	3.6	1.8	1.5
7,001 to 8,000 sf	36"	216	146	0.5	0.5	2.8	2.2	2.0	1.9
	48"	119	79	0.5	0.5	3.8	2.9	2.2	1.7
	60"	73	49	0.5	0.5	4.5	3.6	2.0	1.6
8,001 to 8,500 sf <sup>(1)</sup>	36"	228	155	0.5	0.5	2.8	2.2	2.1	1.9
	48"	124	84	0.5	0.5	3.7	2.9	1.9	1.8
	60"	77	53	0.5	0.5	4.6	3.6	2.0	1.6
8,501 to 9,000 sf	36"	NA <sup>(1)</sup>	164	0.5	0.5	NA <sup>(1)</sup>	2.2	NA <sup>(1)</sup>	1.9
	48"	NA <sup>(1)</sup>	89	0.5	0.5	NA <sup>(1)</sup>	2.9	NA <sup>(1)</sup>	1.9
	60"	NA <sup>(1)</sup>	55	0.5	0.5	NA <sup>(1)</sup>	3.6	NA <sup>(1)</sup>	1.7
9,001 to 9,500 sf <sup>(2)</sup>	36"	NA <sup>(1)</sup>	174	0.5	0.5	NA <sup>(1)</sup>	2.2	NA <sup>(1)</sup>	2.1
	48"	NA <sup>(1)</sup>	94	0.5	0.5	NA <sup>(1)</sup>	2.9	NA <sup>(1)</sup>	2.0
	60"	NA <sup>(1)</sup>	58	0.5	0.5	NA <sup>(1)</sup>	3.7	NA <sup>(1)</sup>	1.7

**Notes:**

▪ Minimum Requirement #7 (Flow Control) is required when the 100-year flow frequency causes a 0.15 cubic feet per second increase (when modeled in WWHM with a 15-minute timestep). Breakpoints shown in this table are based on a flat slope (0-5%). The 100-year flow frequency will need to be evaluated on a site-specific basis for projects on moderate (5-15%) or steep (> 15%) slopes.

- Soil type to be determined by geotechnical analysis or soil map.
- Sizing includes a Volume Correction Factor of 120%.
- Upper bound contributing area used for sizing.

<sup>(1)</sup> On Type B soils, new plus replaced impervious surface areas exceeding 8,500 sf trigger Minimum Requirement #7 (Flow Control)

<sup>(2)</sup> On Type C soils, new plus replaced impervious surface areas exceeding 9,500 sf trigger Minimum Requirement #7 (Flow Control)

<sup>(3)</sup> Minimum orifice diameter = 0.5 inches

in = inch

ft = feet

sf = square feet

**Basis of Sizing Assumptions:**

Sized per MR#5 in the Stormwater Management Manual for Puget Sound Basin (1992 Ecology Manual)

SBUH, Type 1A, 24-hour hydrograph

2-year, 24-hour storm = 2 in; 10-year, 24-hour storm = 3 in; 100-year, 24-hour storm = 4 in

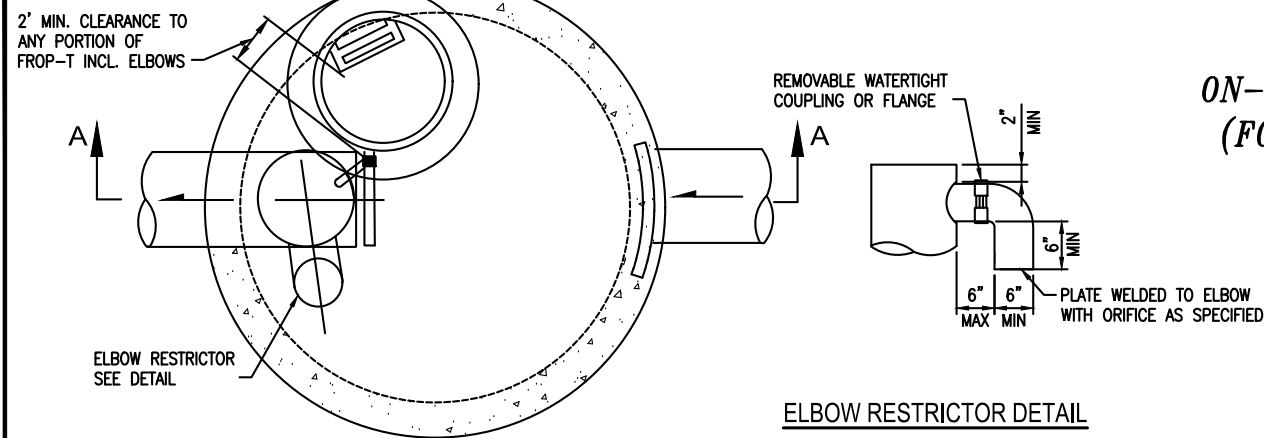
Predeveloped = second growth forest (CN = 72 for Type B soils, CN = 81 for Type C soils)

Developed = impervious (CN = 98)

0.5 foot of sediment storage in detention pipe

Overland slope = 5%

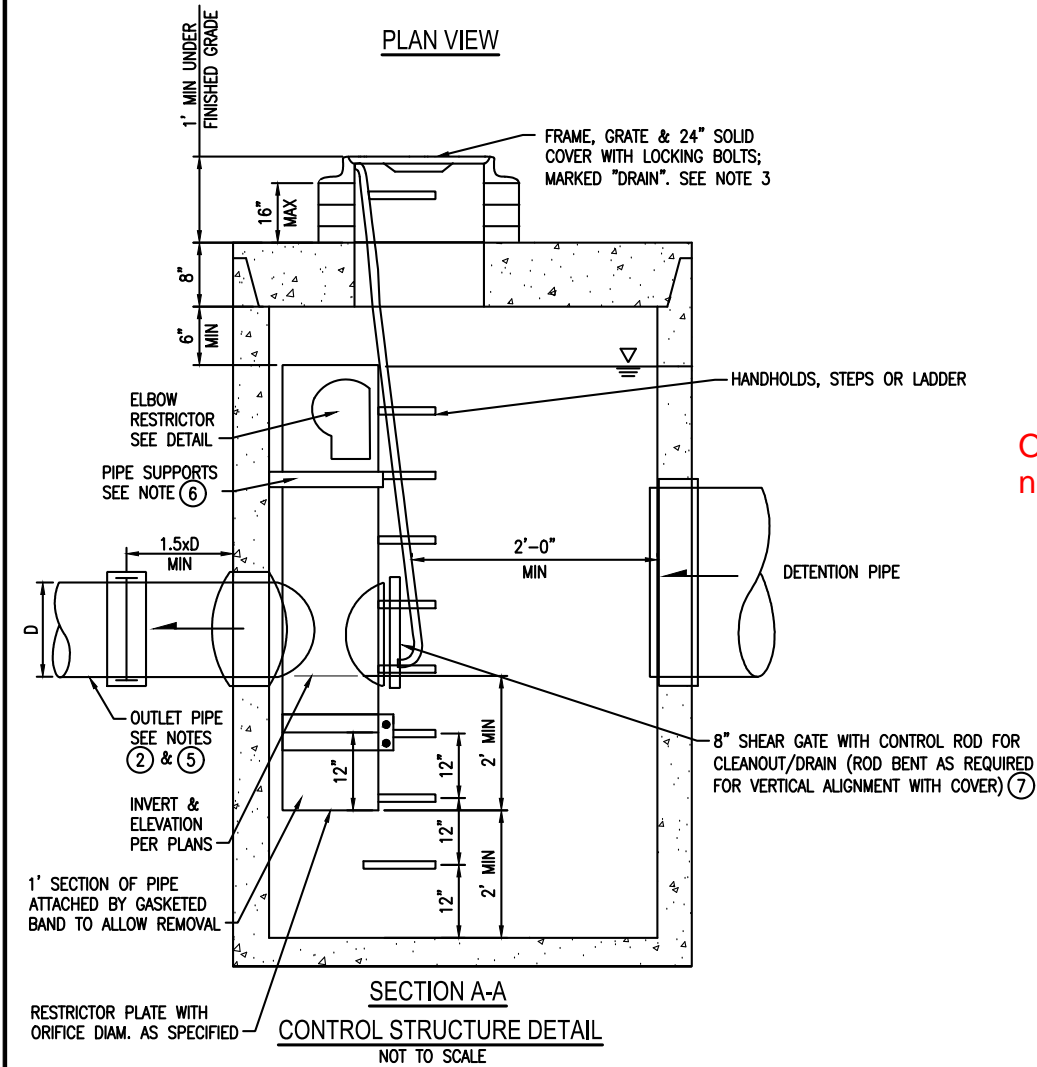
**ATTACHMENT 1**  
**CITY OF MERCER ISLAND**  
**ON-SITE DETENTION SYSTEM WORKSHEET**  
**(FOR NEW PLUS REPLACED IMPERVIOUS**  
**AREA OF 9,500 SF OR LESS)**



PLAN VIEW

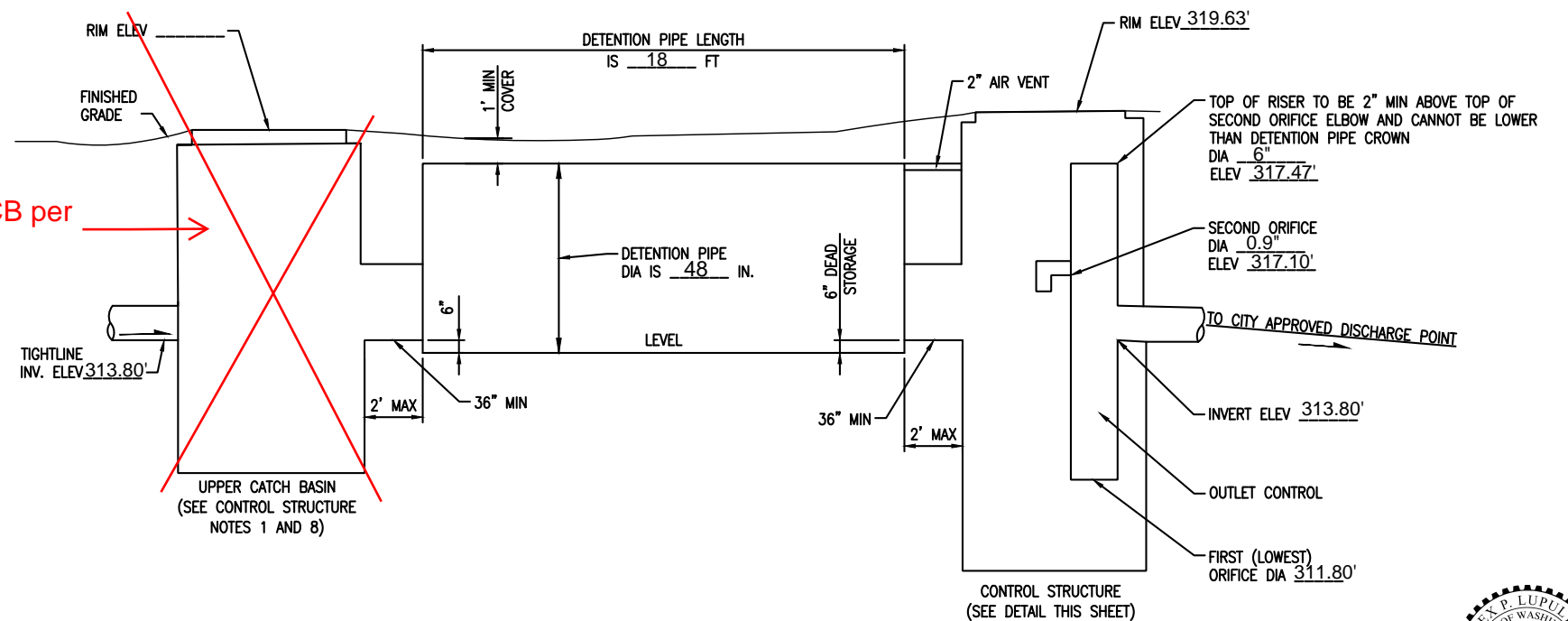
ELBOW RESTRICTOR DETAIL

OWNER: <u>Alan Scharhon</u>	ADDRESS: <u>9150 SE 54th St</u>	PREPARED BY: <u>Alex Lupulyak</u>
PERMIT #: <u>2408-010</u>	<u>Mercer Island, WA 98040</u>	PHONE: <u>(253) 753-0092</u>
		DATE: <u>3/14/25</u>
NEW PLUS REPLACED IMPERVIOUS SURFACE AREA (SF): <u>665</u>	DETENTION PIPE DIA (INCH): <u>48</u>	DETENTION PIPE LENGTH (FT): <u>18</u>
SOIL TYPE: <u>B</u>	PIPE MATERIAL: <u>PVC</u>	ORIFICE #1 DIA <u>0.5</u> INCH, ELEV <u>311.80'</u>
		ORIFICE #2 DIA <u>0.9</u> INCH, ELEV <u>317.10'</u>



SECTION A-A  
CONTROL STRUCTURE DETAIL  
NOT TO SCALE

Omit upper CB per note 8



ON-SITE DETENTION SYSTEM  
NOT TO SCALE (ENGINEER TO FILL IN BLANKS)



**CONTROL STRUCTURE NOTES:**

- ① USE A MINIMUM OF A 54 IN. DIAM. TYPE 2 CATCH BASIN. THE ACTUAL SIZE IS DEPENDENT ON CONNECTING PIPE MATERIAL AND DIAMETER.
- ② OUTLET PIPE: MIN. 6 INCH.
- ③ METAL PARTS: CORROSION RESISTANT. NON-GALVANIZED PARTS PREFERRED. GALVANIZED PIPE PARTS TO HAVE ASPHALT TREATMENT 1.
- ④ FRAME AND LADDER OR STEPS OFFSET SO:
  - A. CLEANOUT GATE IS VISIBLE FROM TOP;
  - B. CLIMB-DOWN SPACE IS CLEAR OF RISER AND CLEANOUT GATE;
  - C. FRAME IS CLEAR OF CURB.
- ⑤ IF METAL OUTLET PIPE CONNECTS TO CEMENT CONCRETE PIPE, OUTLET PIPE TO HAVE SMOOTH O.D. EQUAL TO CONCRETE PIPE I.D. LESS 1/4 IN.

- ⑥ PROVIDE AT LEAST ONE 3 X 0.090 GAUGE SUPPORT BRACKET ANCHORED TO CONCRETE WALL WITH 5/8 IN. STAINLESS STEEL EXPANSION BOLTS OR EMBEDDED SUPPORTS 2 IN. INTO CATCH BASIN WALL (MAXIMUM 3'-0" VERTICAL SPACING).
- ⑦ THE SHEAR GATE SHALL BE MADE OF ALUMINUM ALLOY IN ACCORDANCE WITH ASTM B 26M AND ASTM B 275, DESIGNATION ZG32A; OR CAST IRON IN ACCORDANCE WITH ASTM A 48, CLASS 30B. THE LIFT HANDLE SHALL BE MADE OF A SIMILAR METAL TO THE GATE (TO PREVENT GALVANIC CORROSION), IT MAY BE OF SOLID ROD OR HOLLOW TUBING, WITH ADJUSTABLE HOOK AS REQUIRED. A NEOPRENE RUBBER GASKET IS REQUIRED BETWEEN THE RISER MOUNTING FLANGE AND THE GATE FLANGE. INSTALL THE GATE SO THAT THE LEVEL-LINE MARK IS LEVEL WHEN THE GATE IS CLOSED. THE MATING SURFACES OF THE LID AND THE BODY SHALL BE MACHINED FOR PROPER FIT. ALL SHEAR GATE BOLTS SHALL BE STAINLESS STEEL.
- ⑧ THE UPPER CATCH BASIN IS REQUIRED IF THE LENGTH OF THE DETENTION PIPE IS GREATER THAN 50 FT.

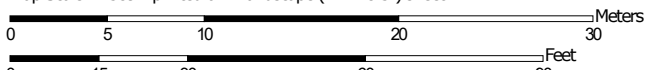
**ON-SITE DETENTION SYSTEM NOTES:**

1. CALL DEVELOPMENT SERVICES (206-275-7605) 24 HOURS IN ADVANCE FOR A DETENTION SYSTEM INSPECTION BEFORE BACKFILLING AND FOR FINAL INSPECTIONS.
2. RESPONSIBILITY FOR OPERATION AND MAINTANANCE OF DRAINAGE SYSTEMS ON PRIVATE PROPERTY IS RESPONSIBILITY OF THE PROPERTY OWNER. MATERIAL ACCUMULATED IN THE STORAGE PIPE MUST BE REMOVED FROM CATCH BASINS TO ALLOW PROPER OPERATION. THE OUTLET CONTROL ORIFICE MUST BE KEPT OPEN AT ALL TIMES.
3. PIPE MATERIAL, JOINT, AND PROTECTIVE TREATMENT SHALL BE IN ACCORDANCE WITH SECTION 7.04 AND 9.05 OF THE WSDOT STANDARD SPECIFICATION FOR ROAD, BRIDGE, AND MUNICIPAL CONSTRUCTION, LATEST VERSION. SUCH MATERIALS INCLUDE THE FOLLOWING, LINED CORRUGATED POLYETHYLENE PIPE (LCPE), ALUMINIZED TYPE 2 CORRUGATED STEEL PIPE AND PIPE ARCH (MEETS AASHTO DESIGNATIONS M274 AND M36), CORRUGATED OR SPIRAL RIB ALUMINUM PIPE, OR REINFORCED CONCRETE PIPE. CORRUGATED STEEL PIPE IS NOT ALLOWED.
4. FOOTING DRAINS SHALL NOT BE CONNECTED TO THE DETENTION SYSTEM.

Soil Map—King County Area, Washington



Map Scale: 1:389 if printed on A landscape (11" x 8.5") sheet.




Map projection: Web Mercator Corner coordinates: WGS84 Edge tics: UTM Zone 10N WGS84




## MAP LEGEND

### Area of Interest (AOI)

 Area of Interest (AOI)

### Soils

 Soil Map Unit Polygons

 Soil Map Unit Lines

 Soil Map Unit Points

### Special Point Features



Blowout



Borrow Pit



Clay Spot



Closed Depression



Gravel Pit



Gravelly Spot



Landfill



Lava Flow



Marsh or swamp



Mine or Quarry



Miscellaneous Water



Perennial Water



Rock Outcrop



Saline Spot



Sandy Spot



Severely Eroded Spot



Sinkhole



Slide or Slip



Sodic Spot



Spoil Area



Stony Spot



Very Stony Spot



Wet Spot



Other



Special Line Features

### Water Features



Streams and Canals

### Transportation



Rails



Interstate Highways



US Routes



Major Roads



Local Roads

### Background



Aerial Photography

## MAP INFORMATION

The soil surveys that comprise your AOI were mapped at 1:24,000.

**Warning:** Soil Map may not be valid at this scale.

Enlargement of maps beyond the scale of mapping can cause misunderstanding of the detail of mapping and accuracy of soil line placement. The maps do not show the small areas of contrasting soils that could have been shown at a more detailed scale.

Please rely on the bar scale on each map sheet for map measurements.

Source of Map: Natural Resources Conservation Service

Web Soil Survey URL:

Coordinate System: Web Mercator (EPSG:3857)

Maps from the Web Soil Survey are based on the Web Mercator projection, which preserves direction and shape but distorts distance and area. A projection that preserves area, such as the Albers equal-area conic projection, should be used if more accurate calculations of distance or area are required.

This product is generated from the USDA-NRCS certified data as of the version date(s) listed below.

Soil Survey Area: King County Area, Washington

Survey Area Data: Version 20, Aug 27, 2024

Soil map units are labeled (as space allows) for map scales 1:50,000 or larger.

Date(s) aerial images were photographed: Mar 1, 2023—Sep 1, 2023

The orthophoto or other base map on which the soil lines were compiled and digitized probably differs from the background imagery displayed on these maps. As a result, some minor shifting of map unit boundaries may be evident.

## Map Unit Legend

Map Unit Symbol	Map Unit Name	Acres in AOI	Percent of AOI
AgC	Alderwood gravelly sandy loam, 8 to 15 percent slopes	0.7	100.0%
<b>Totals for Area of Interest</b>		<b>0.7</b>	<b>100.0%</b>

## King County Area, Washington

### AgC—Alderwood gravelly sandy loam, 8 to 15 percent slopes

#### Map Unit Setting

*National map unit symbol:* 2t626  
*Elevation:* 50 to 800 feet  
*Mean annual precipitation:* 20 to 60 inches  
*Mean annual air temperature:* 46 to 52 degrees F  
*Frost-free period:* 160 to 240 days  
*Farmland classification:* Prime farmland if irrigated

#### Map Unit Composition

*Alderwood and similar soils:* 85 percent  
*Minor components:* 15 percent  
*Estimates are based on observations, descriptions, and transects of the mapunit.*

#### Description of Alderwood

##### Setting

*Landform:* Hills, ridges  
*Landform position (two-dimensional):* Shoulder  
*Landform position (three-dimensional):* Nose slope, talf  
*Down-slope shape:* Convex, linear  
*Across-slope shape:* Convex  
*Parent material:* Glacial drift and/or glacial outwash over dense glaciomarine deposits

##### Typical profile

*A - 0 to 7 inches:* gravelly sandy loam  
*Bw1 - 7 to 21 inches:* very gravelly sandy loam  
*Bw2 - 21 to 30 inches:* very gravelly sandy loam  
*Bg - 30 to 35 inches:* very gravelly sandy loam  
*2Cd1 - 35 to 43 inches:* very gravelly sandy loam  
*2Cd2 - 43 to 59 inches:* very gravelly sandy loam

##### Properties and qualities

*Slope:* 8 to 15 percent  
*Depth to restrictive feature:* 20 to 39 inches to densic material  
*Drainage class:* Moderately well drained  
*Capacity of the most limiting layer to transmit water (Ksat):* Very low to moderately low (0.00 to 0.06 in/hr)  
*Depth to water table:* About 18 to 37 inches  
*Frequency of flooding:* None  
*Frequency of ponding:* None  
*Available water supply, 0 to 60 inches:* Very low (about 2.7 inches)

##### Interpretive groups

*Land capability classification (irrigated):* None specified  
*Land capability classification (nonirrigated):* 4s

**Hydrologic Soil Group: B**

*Ecological site:* F002XA004WA - Puget Lowlands Forest

*Forage suitability group:* Limited Depth Soils (G002XN302WA), Limited Depth Soils (G002XS301WA), Limited Depth Soils (G002XF303WA)

*Other vegetative classification:* Limited Depth Soils (G002XN302WA), Limited Depth Soils (G002XS301WA), Limited Depth Soils (G002XF303WA)

*Hydric soil rating:* No

## Minor Components

### Indianola

*Percent of map unit:* 5 percent

*Landform:* Terraces, kames, eskers

*Landform position (three-dimensional):* Tread

*Down-slope shape:* Linear

*Across-slope shape:* Linear

*Hydric soil rating:* No

### Everett

*Percent of map unit:* 5 percent

*Landform:* Kames, moraines, eskers

*Landform position (two-dimensional):* Shoulder, footslope

*Landform position (three-dimensional):* Base slope, crest

*Down-slope shape:* Convex

*Across-slope shape:* Convex

*Hydric soil rating:* No

### Shalcar

*Percent of map unit:* 3 percent

*Landform:* Depressions

*Landform position (three-dimensional):* Dip

*Down-slope shape:* Concave

*Across-slope shape:* Concave

*Hydric soil rating:* Yes

### Norma

*Percent of map unit:* 2 percent

*Landform:* Drainageways, depressions

*Landform position (three-dimensional):* Dip

*Down-slope shape:* Linear, concave

*Across-slope shape:* Concave

*Hydric soil rating:* Yes

## Data Source Information

Soil Survey Area: King County Area, Washington

Survey Area Data: Version 20, Aug 27, 2024